

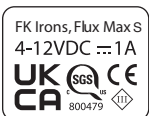


microbeau



Diversity and
Maximum Versatility

USER MANUAL



2023

INDEX

Safety Notice	3
Intro	4
Overview	5
Features	6
Detaching the PowerBolt II	7
Connecting your Device	8
Adjusting Needle Depth	9
Additional Information & Troubleshooting	10

SAFETY NOTICE



CLASS III SYMBOL

A Class III appliance is designed to be supplied from a separate/safety extra-low voltage (SELV) power source. The voltage from a SELV supply is low enough that, under normal conditions, a person can safely come into contact, without the risk of electrical shock. The extra safety features built into Class I and Class II appliances are, therefore, not required. For medical devices, compliance with Class III is not considered sufficient protection, and further, more-stringent regulations apply to such equipment.

TECHNICAL DATA	
Operating Voltage:	4–12 V (66 - 199 Hertz)
Current:	UP TO 1.0A
Ambient Temperature:	+10 to +35 °C
Relative Humidity:	30 to 75%
Dimensions (Ø X L):	H126.5 x W36.5 X L27mm
Weight:	5.89 oz (166.9 grams)
Charging Port:	USB-C



BARRIER PROTECTING YOUR DEVICE

We strongly suggest the use of barrier products to protect your device. For a visual demonstration of barrier protection methods, please visit our Microbeau YouTube channel.

This device is only for use by trained PMU or tattoo artists and not for use by children or persons of reduced physical, sensory or mental capabilities.



Flux S Max

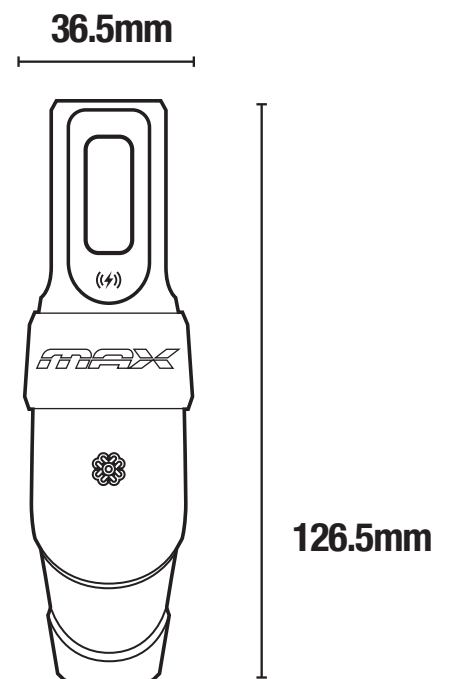
Take control of your PMU with our most versatile device yet.
Longer strokes, better control, and easier accessibility.

OVERVIEW



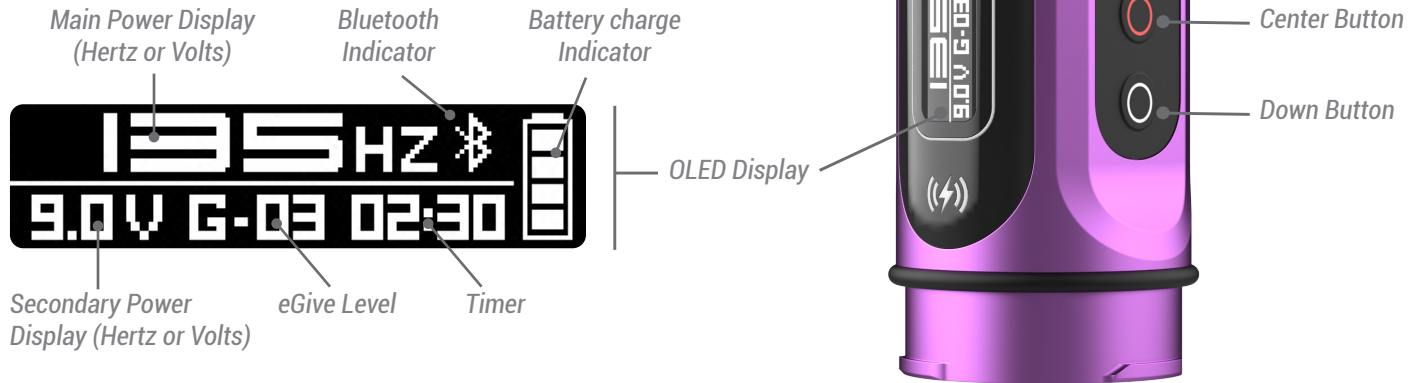
SPECIFICATIONS

- Output Voltage: 4–12 V (66 - 199 Hertz)
- Increment/decrement voltage interval: 0.5 or 0.1V*
- Maximum output current: 1A
- Charger Input: USB-C
- Size: H 126.5mm x W 36.5mm
- Weight: 5.89 oz (166.9 grams)
- Battery Life: ~ 6-10 Hours
(based on operating parameters)



FEATURES

THE POWERBOLT II



Battery Charge: 4 bars = 100%, 3 bars = 75%, 2 bars = 50% and 1 bar = 25%.
Single bar will blink to indicate when there is approximately 5 minutes left of operation.

Note: Screen will switch to sleep mode after **15 seconds** when device not in use.

Press the power button to wake.

Charging: When USB-C is plugged in, screen mode will show battery charging.
For best results, use provided charging cable.



Modes Menu: Hold the power button (center button) for **3 seconds** to display built-in menu. Keep holding power button to cycle through menus. Release to stay on a chosen screen.



eGive: Use the up and down buttons to select level. **Level 0** = disabled, **Level 1** = Hard, **Level 2** = Medium and **Level 3** = Soft. When changing eGive please allow device to finish sensing needle before using.



Footswitch: On/Off select with Up/Down buttons. The Killswitch will remain connected until user disconnects it in the PowerBolt II menu.



Timer: Start/Stop select with Up/Down buttons. The timer is 0-24 Hrs in one minute intervals, once timer is stopped it resets back to zero.



Display: Use Up/Down buttons to select Voltage or Hertz as main power display.



Voltage: Use Up/Down buttons to select increments of 0.1 or 0.5 Volts.



Screen Orientation: Use Up/Down buttons to select left or right hand operation.



Battery Disconnect: Use Up/Down buttons to select Cancel/Off. To reactivate PowerBolt II, plug into any USB-C

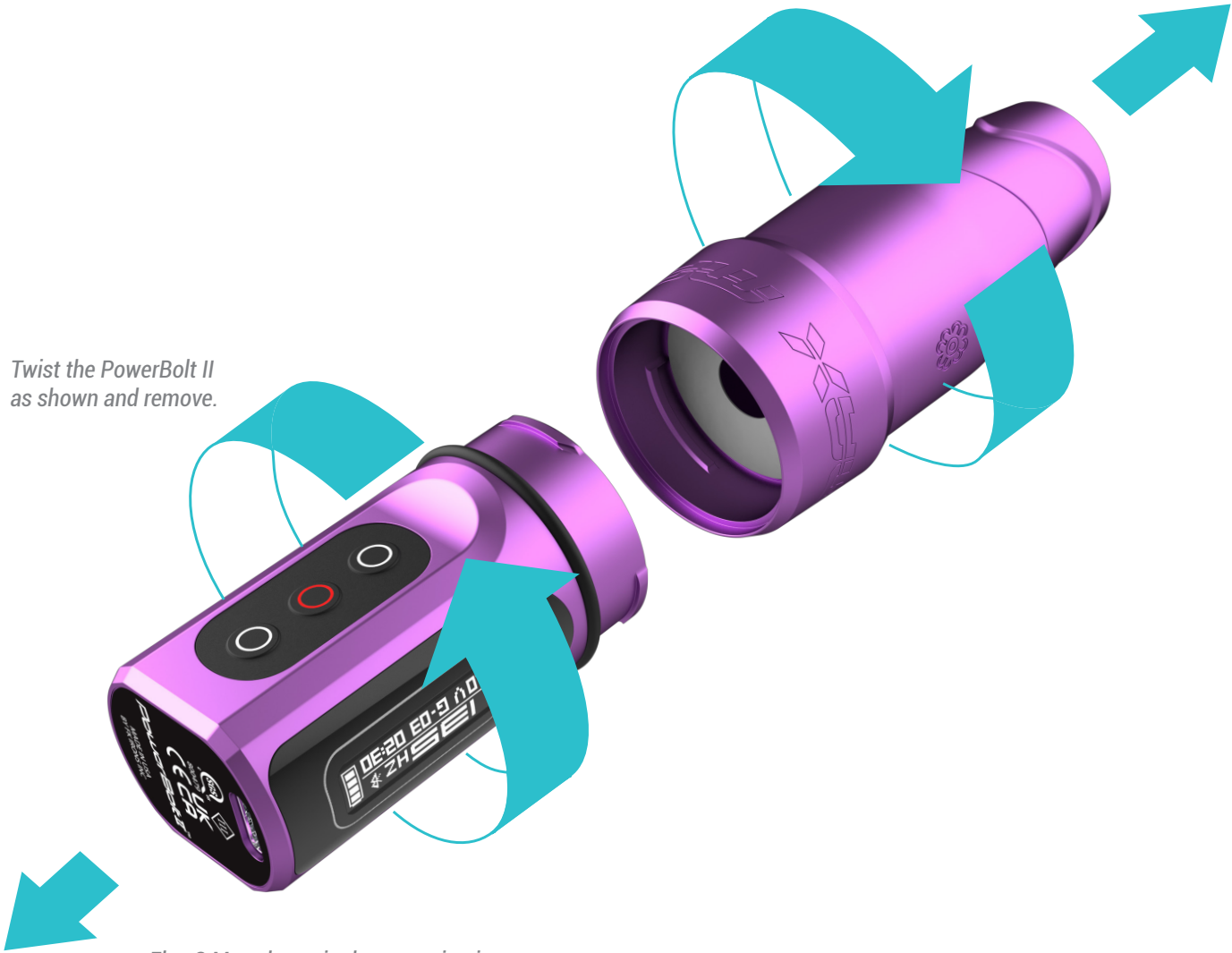
Device Reset: Hold the Up and Down buttons at the same time to reset your device.



DETACHING THE POWERBOLT II

Ensure you have a firm grip on the body and grip of the device.

Twist the PowerBolt II as shown and remove.



Flux S Max shown in demonstration image.

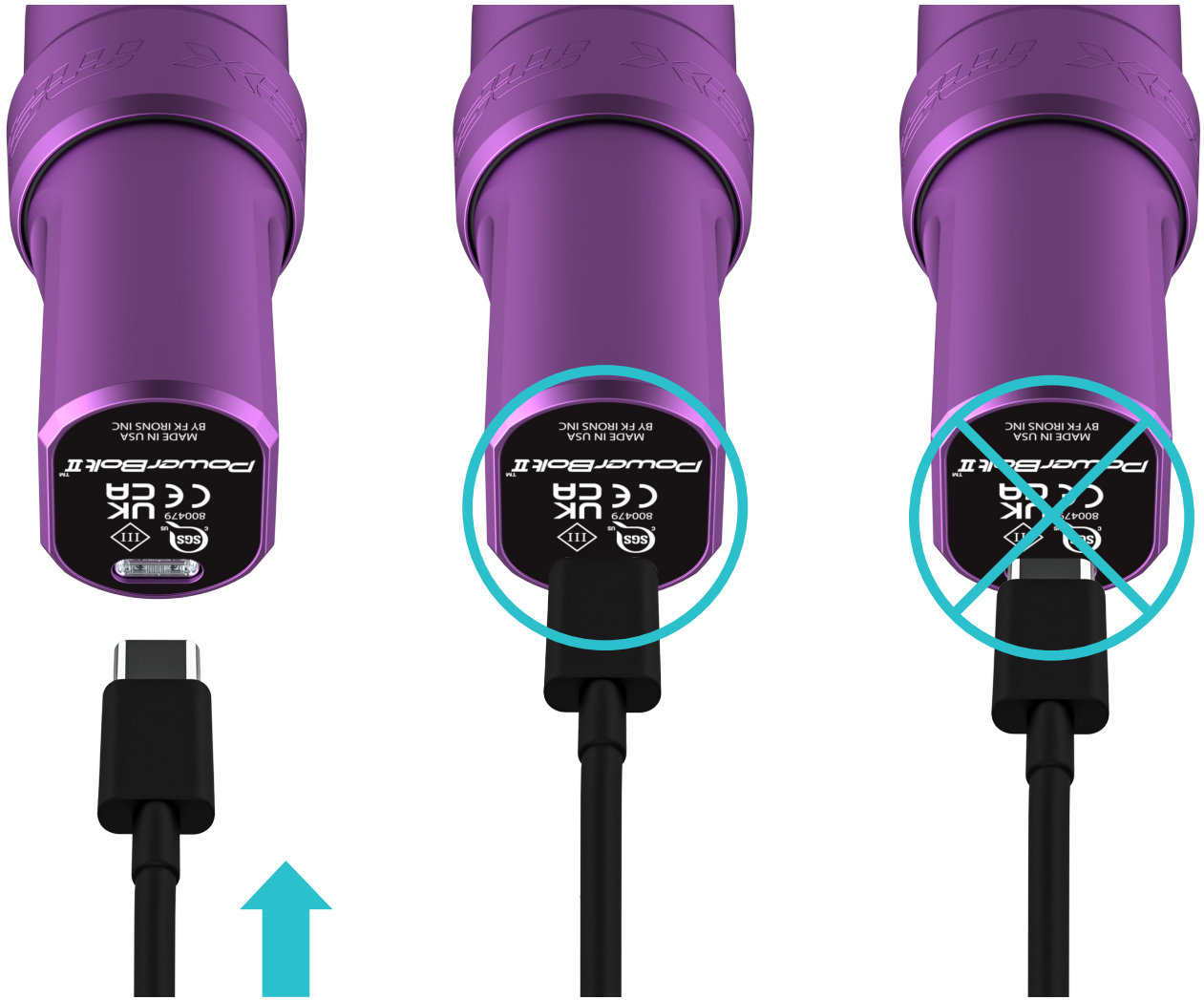
DETACHING THE POWERBOLT II

The PowerBolt II is compatible with the Flux S Max, Flux Max, Flux, Flux S and the EXO. To detach your PowerBolt II, ensure you have a firm grip on the body of the Flux S Max and Grip.

Turn the PowerBolt II counter-clockwise and pull out. To attach the PowerBolt II, push in while twisting clockwise. Ensure lock mechanism moves freely. PowerBolt II must sit correctly

to ensure power electric leads align correctly. Avoid contact with the PowerBolt II leads while recharging or servicing. Turn power off before removing battery from device.

CONNECTING YOUR DEVICE



1 Plug the USB-C cord into the PowerBolt II connector.

Best connection

Improper connection

HOW TO CHARGE YOUR DEVICE

Insert the provided USB-C cable into the back of the PowerBolt II and connect to a Hover or use wall adapter to connect to power socket. Make sure the cable is properly seated and is fully inserted into PowerBolt II. The PowerBolt II is not designed

to operate while plugged in. The USB-C connection is intended only for charging your PowerBolt II. PowerBolt II can be recharged while not attached to the Flux S Max.

ADJUSTING NEEDLE DEPTH

ADJUSTING NEEDLE DEPTH

To adjust needle depth, hold the device body and PowerBolt II while turning the Grip. *A counter clockwise turn decreases depth, while a clockwise turn increases depth (also known as needle hang).*

Each time you turn the grip you can feel the tactile feedback of the ratcheting mechanism. Each “click” displaces your needle 0.2 mm and allows you to set your needle precisely without involuntarily turning during procedures.

Increases needle depth

Decreases needle depth



Turning the grip as shown increases needle depth.

Turning the grip as shown decreases needle depth.

ADDITIONAL INFORMATION

VOLTAGE/HERTZ PARAMETERS

While voltage/hertz is a parameter that will vary from artist to artist, the PowerBolt II has been tested to operate at a minimum voltage of 4 Volts/66 Hertz to a maximum voltage of 12 Volts/199 Hertz. Depending on the type of needle configuration, or brand you use, feel free to adjust the voltage or hertz to obtain the desired performance.

WARRANTY

Microbeau warrants that the device will perform effectively when used as intended. Should this product prove to be defective due to manufacturing issues, Microbeau will repair/replace the device free of charge. This warranty will be void if the device shows signs of having been tampered, disassembled, handled roughly, dropped, overexposed to moisture or damage resulting in compromised functionality.

HANDY TIPS

The following tips will help you get the most out of your PowerBolt II and avoid potential issues:

- Do not exceed the suggested voltage
- Use only FDA-approved cold sterilization solutions for disinfection
- **DO NOT AUTOCLAVE**

TROUBLESHOOTING

1.- Device Manufacturer

FK Irons: 1771 NW 79th Avenue, Doral, Florida 33126

2.- Servicing Your Device

As for any mechanical device, Microbeau strongly suggests that you service your device once a year to ensure all working parts are working as expected. This ensures the optimal condition of all working parts, including internal device clean up and fresh lubrication. Routine servicing will ensure that your device remains functioning as intended. Service is subject to fees.

3.- Warning

Disconnect device from any power source before making any adjustments.

For service inquiries, please contact service@microbeau.com.

For additional tips and tutorials, please visit Microbeau.com