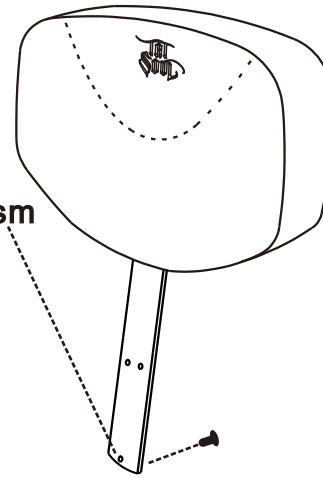




Oros Artist Chair-AC680-B/OB/TB  
1.888.828.7685  
www.tatsoul.com

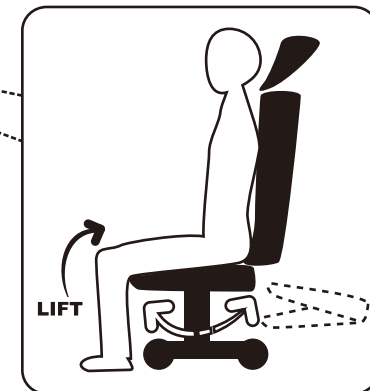
**\*Step 1: Put backrest bar into chair mechanism before inserting plastic stopper.**



**\*Step 2: Lock in the backrest by adjusting and tightening these two knobs.**



**PULL LEVER UP AND ADJUST  
PUSH DOWN LEVER TO LOCK**



**PULL LEVER UP AND ADJUST  
PUSH DOWN LEVER TO LOCK**



**\*Note : For best stability & efficiency, assemble the two locking casters next to each other on the base.**

**\*Step 3: Insert casters into base.**

**\*Step 4: Insert Lift Piston into chair mechanism.**

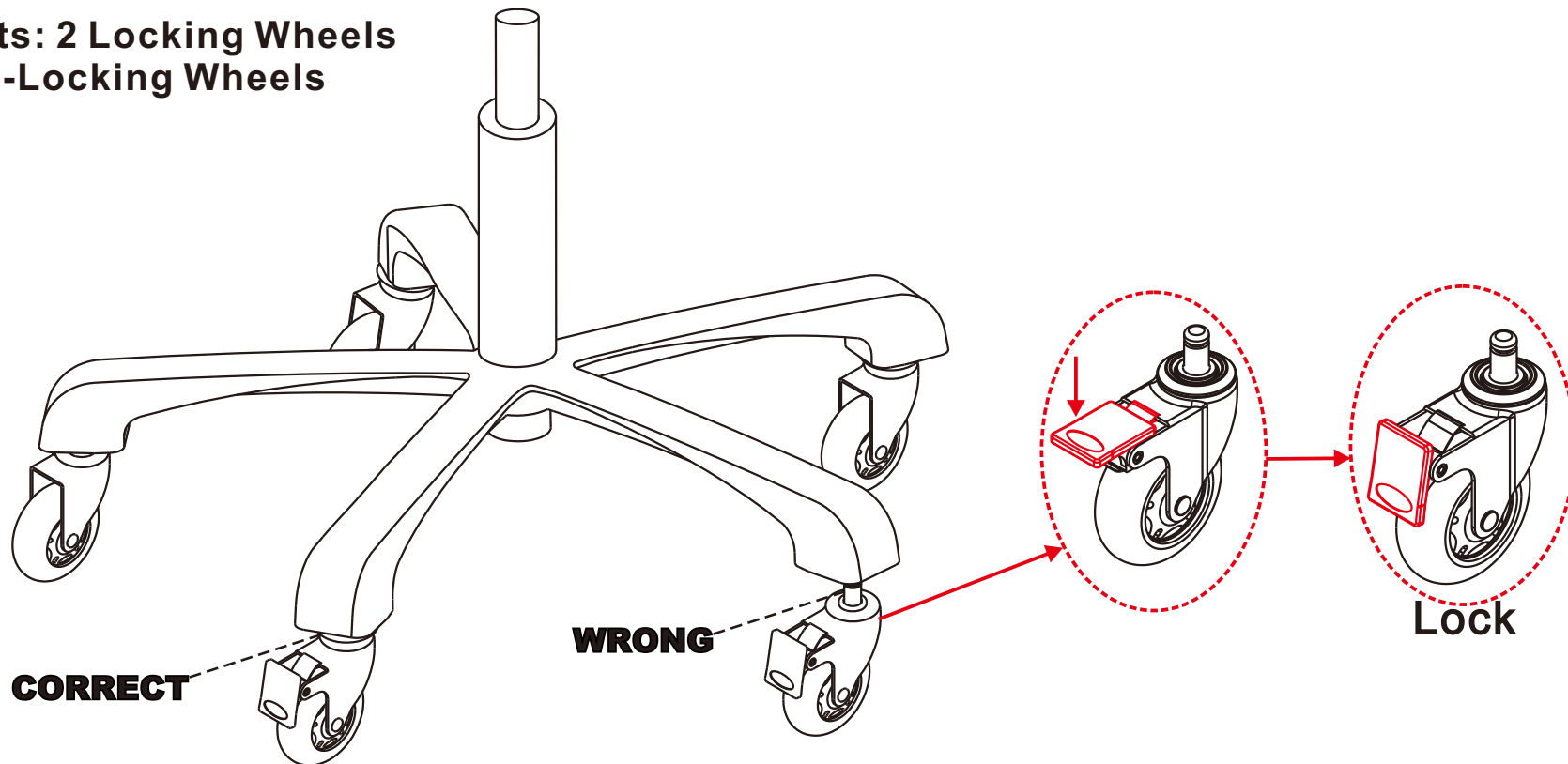


Oros Artist Chair-AC680-B/OB/TB  
1.888.828.7685  
www.tatsoul.com

# WARNING

Make sure to pop wheels all the way into the base. Failure to pop all the way in will result in damaged wheels.

Contents: 2 Locking Wheels  
& 3 Non-Locking Wheels



# VINYL AFTERCARE

**1. Cleaning Instructions.** To ensure the safety and life of your vinyl seats, please use only specified cleaners and cleaning materials listed below.

**2. Accepted Cleaners.** Mix a small amount of mild dish soap with warm(not hot) water . Dip a very soft-bristled brush or soft cloth into the soapy water and gently scrub with seats in a circular motion. Wipe the water off with another soft, dry cloth.

**3. Unacceptable Cleaners.** Do not use abrasive cleaning compounds such as bleach or ammonia. They will harm the vinyl and, over time, cause the material to fade or tear. Also, do not use:

Concentrated detergents

Silicone oils

Waxes

Petroleum distillates

Dry cleaning fluids

Solvents

Steel wool

Sharp cleaning tools

Abrasive cleaning materials or impements

Acid-based cleaners