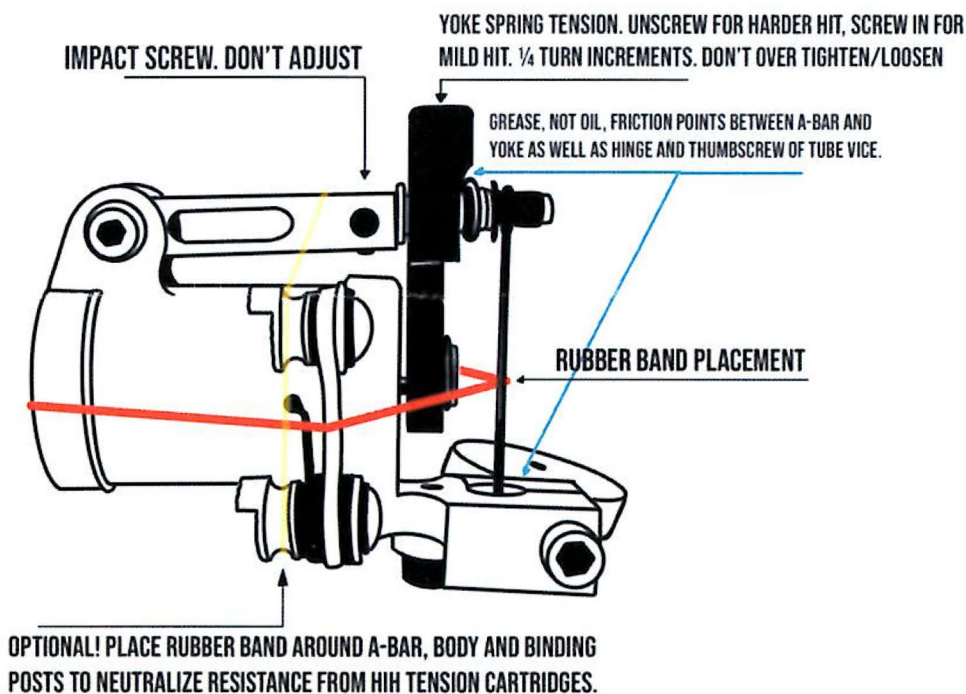
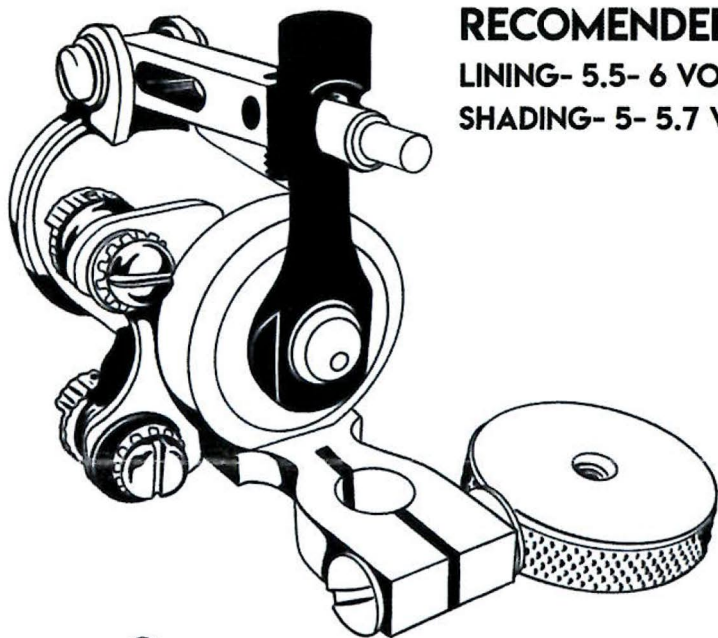


STEELDRIVER CARE AND OPERATION INSTRUCTIONS



- NEVER SPRAY CLEANER DIRECTLY ON TO YOUR MACHINE.
- DO NOT USE MACHINE ON ANY SURFACE OTHER THAN SKIN.
- NEVER OIL YOUR MACHINE. ONLY USE GREASE IN THE TWO LUBRICATION POINTS NOTED ABOVE AS NEEDED.
- DO NOT ADJUST IMPACT SCREW UNLESS INSTRUCTED TO THROUGH TROUBLESHOOTING.
- REPLACE YOUR NEEDLE GROMMET/NIPPLE WITH EVERY TATTOO, A-BAR DAMAGE MAY OCCUR.

WWW.BOWERSTATTOOSUPPLY.COM

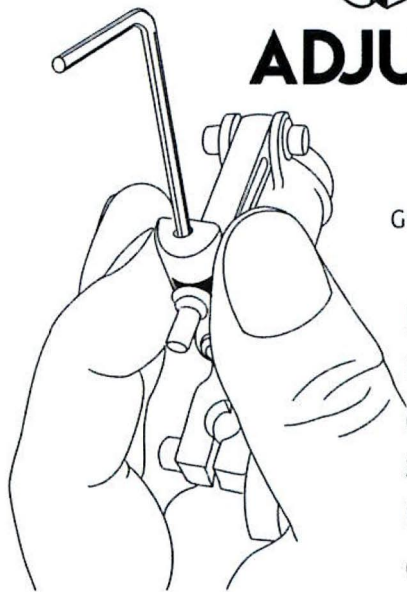


RECOMENDED VOLTAGES

LINING- 5.5- 6 VOLTS

SHADING- 5- 5.7 VOLTS

ADJUSTING THE YOKE TENSION.



Grip yoke at top as shown and use included allen key to adjust. Never over tighten or under tighten.

HARDER HIT- loosen screw in $\frac{1}{4}$ turn increments until desired hit is acheived or top of screw is flush with top of yoke.

SOFTER HIT- Tighten screw in $\frac{1}{4}$ turn increments until desired hit is acheived or screw stops turning.

**FOR QUESTIONS OR TROUBLESHOOTING PLEASE CONTACT
US AT ORDERS@BOWERSTATTOOSUPPLY.COM**